

ORECK[®] Air Purifier

User's Guide

Important!

Read this manual carefully, and keep for future reference.



Oreck ProShield Air Purifier and
Oreck ProShield Plus Air Purifier

clean home
HEALTHIER. EASIER. SMARTER.[®]

Enjoy

The Oreck logo is a black circle containing the word "ORECK" in white, bold, uppercase letters.

Congratulations on your purchase of the Oreck ProShield series air purifier. Your new air purifier contains several technologies which together make it one of the most advanced and effective air filtration systems available, all in a stylish and compact cabinet. This manual describes the features of both the **Oreck ProShield Air Purifier** and **Oreck ProShield Plus Air Purifier**. Both of these powerful air purifiers include a mechanical pre-filter, Truman Cell technology at the heart of the electronic filtration system, and catalytic odor and ozone removal. The **Oreck ProShield Air Purifier** includes a replaceable odor absorber and air revitalizer, while the **Oreck ProShield Plus Air Purifier** includes a remote control and a permanent, state-of-the-art odor control and VOC (volatile organic compounds) removal system. These technologies can provide broad protection against airborne particles, bacteria, mold, viruses, fungi, chemical fumes and odors that are reduced as the air moves through the air purifier for a healthier, cleaner home environment.

Welcome to our **Call. Click. Visit.** customer service program. To speak with an Oreck representative call:

Call



USA: **1•800•989•3535**

Canada: **1•888•676•7325**

Click



On the web, point and click at: **www.oreck.com** or visit www.oreck.com and click locate a store on the top right.

Visit



Visit Oreck in person at one of over 450 store locations. To find the nearest store, please call **888•oreck store (1•888•673•2578)**.

Contents

Safety	1
General Warnings	1
Placement Warnings	1
Features	3
Operation	5
Cleaning	6
Cleaning Intervals	6
Cleaning the Pre-Filter	7
Cleaning the Truman Collector Cell	7
Cleaning the Exhaust Grille	9
Cleaning the Catalytic Oxygenator	9
Maintenance	10
Replacing the Optional Odor Absorber	10
Troubleshooting	11
Warranty	13

General Warnings



IMPORTANT SAFETY INSTRUCTIONS

- Only use the air purifier as described in this manual. Failure to do so may result in serious injury or death.
- Do not use the air purifier with a damaged cord or plug. Doing so may result in electric shock, serious injury or death. Have a qualified service technician replace any damaged cords or plugs.
- Do not handle the unit with wet hands. Doing so may result in electrical shock, serious injury or death. Thoroughly dry your hands before handling any part of the air purifier.

CAUTION!

- Do not unplug by pulling on the cord. Doing so may result in electrical sparks and fire. Unplug the unit by grasping, and pulling the plug.
- Hair, loose clothing and body parts may get caught in the machine resulting in injury. Keep hair, loose clothing and body parts away from openings and moving parts.

Placement Warnings

! WARNING!

- Do not use the air purifier outdoors or on wet surfaces. Doing so may result in electric shock, serious injury or death. Use only indoors and under dry conditions.
- Do not use the air purifier in an enclosed space where flammable, combustible or explosive gases are present.
- Do not use in an area where toxic vapors, flammable dust or oxygen tanks are present. Doing so may result in serious injury or death. Check the location and make sure these elements are not present.

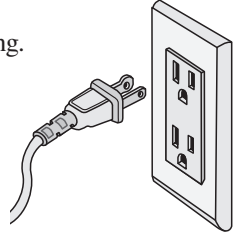
CAUTION!

- Do not place open flames, including candles, directly in front of the air purifier.
- Keep objects away from the air intake grille.

It is important to consider the following when deciding on where to locate the air purifier:

- Position the air purifier on a flat, solid, stable surface. Never place the unit on soft surfaces such as a bed or sofa.
- Position the air purifier where the dirty air is not drawn across your head or body while sitting or sleeping.
- Position the air purifier so the plug on the power cord easily reaches a standard electrical outlet for a polarized plug.

Note: A polarized plug has one rounded prong and one straight prong. The rounded end goes into the longest socket slot.

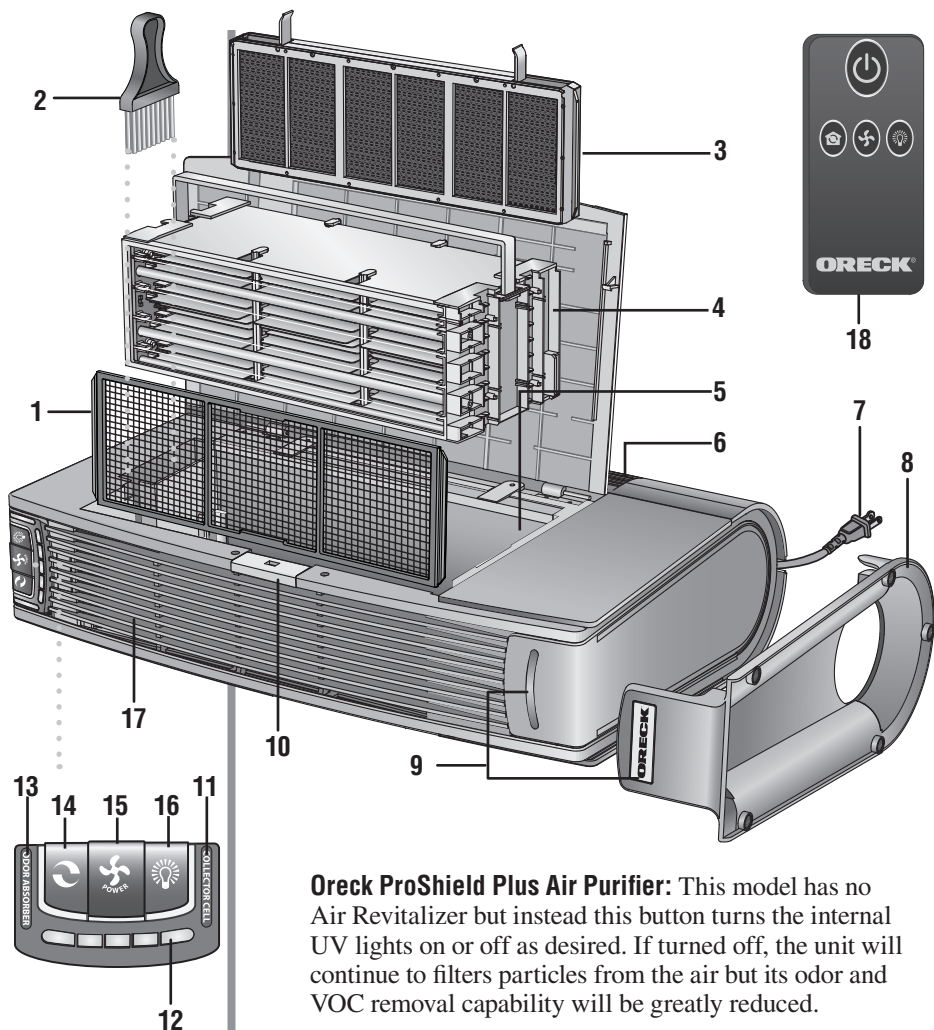


- Do not use an extension cord.
- Do not place the air purifier near sources of heat, such as stove tops, ovens, radiators or computers.

SAVE THESE INSTRUCTIONS

Features

1. **Pre-Filter:** Filter large particles such as dust, hair and lint.
2. **Cleaning brush:** Use to clean the front and back grilles. Stores snugly in the compartment under the cover.
3. **Odor Absorber:** Reduces odors and chemical fumes from glue, solvents and synthetic materials. The air purifier continues to filter particles from the air passing through it with or without the odor absorber. **Note:** Oreck ProShield Air Purifier has a replaceable odor absorber. Oreck ProShield Plus Air Purifier has a permanent odor absorber which is activated by internal ultraviolet lights and cannot be removed.
4. **Truman Cell:** Electrostatically charges and collects small particles such as dust, smoke, pollen, bacteria, molds, viruses, and fungi.
5. **Catalytic Oxygenator:** Both models contain a permanent catalytic Oxygenator which cannot be removed.
6. **Exhaust Grille:** Directs the flow of air as it exits the unit.
7. **Power Cord:** Plug into the outlet to begin use.
8. **Removable Base:** Allows the air purifier to stand vertically. Simply stand the unit on its base with the Oreck logo facing front and the control panel buttons at the top.
9. **Night Light:** The right end of both models will softly glow when the night light is activated. On the Oreck ProShield Plus Air Purifier, the logo will illuminate when the unit is sitting on its base, or serve as a night light on the front of the unit.
10. **Cover Release Button:** Press in to release the cover for maintenance access.
11. **Truman Collector Cell Light:** A solid red light is included as a handy reminder to clean the Truman Cell after 30 days. A blinking light indicates a malfunction that has caused the Truman cell to shut down and requires attention.
12. **Speed Indicator Light:** Lighting starts from the center for the lowest motor speed to all five lights for full motor speed.
13. **Odor Absorber Light:** The light indicates that it is time to replace the odor absorber.
14. **Oreck ProShield Air Purifier:** On this model, this button activates the Air Revitalizer feature which is designed to run continuously, but may be turned OFF if desired. Provides additional air freshness via the release of negative ions, which can also cause dust particles to clump together and fall out of the air passing through the air purifier. You may notice faster dust buildup on the unit and surrounding objects with the Air Revitalizer turned ON.

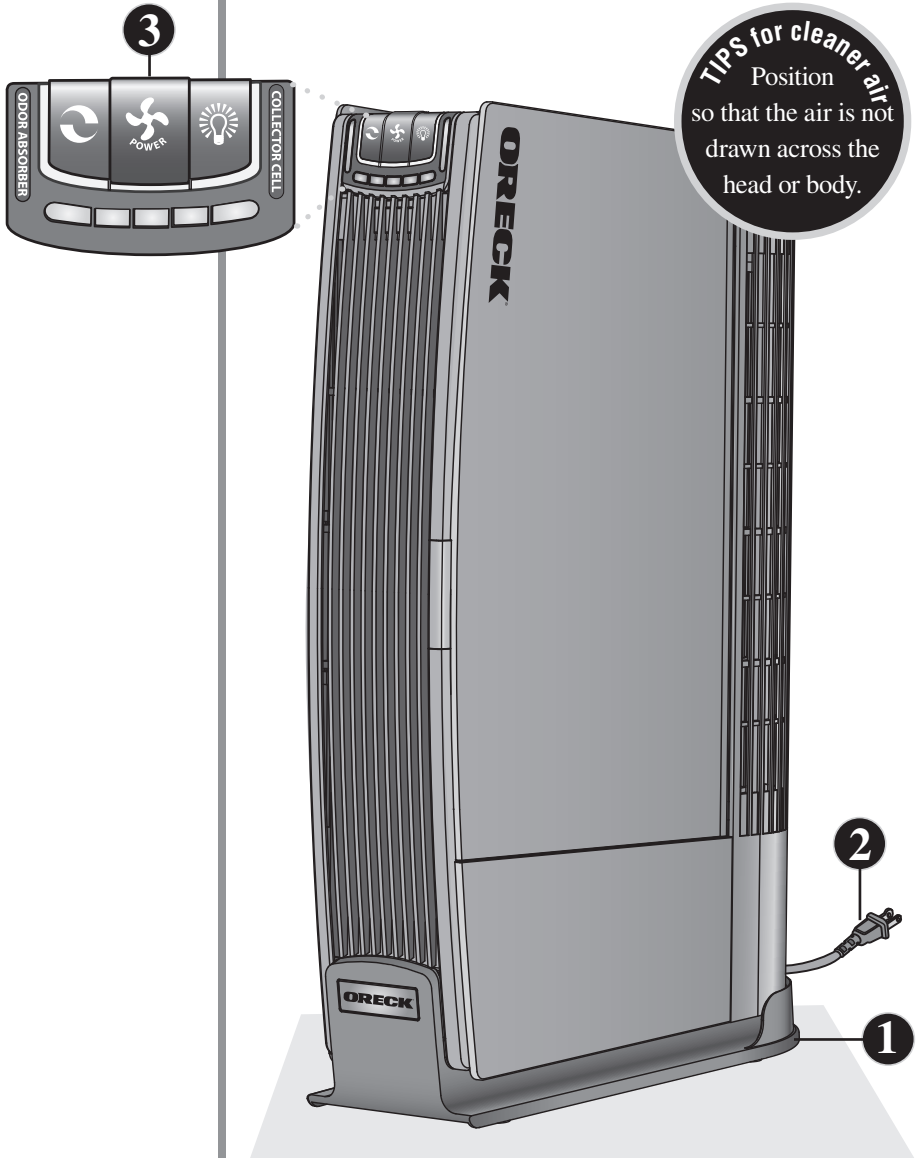


Oreck ProShield Plus Air Purifier: This model has no Air Revitalizer but instead this button turns the internal UV lights on or off as desired. If turned off, the unit will continue to filters particles from the air but its odor and VOC removal capability will be greatly reduced.

15. **Motor Speed/Power Button:** Press the power buttons repeatedly for the desired speed.
 - **Silence** for Silence Technology®. It's the quietest operation, cleaning the air as effectively but more slowly than the high setting.
 - **Medium** for normal use
 - **High** for maximum cleaning
16. **Night Light Button:** Repeatedly press this button to change the lighting scheme to best suit your preference.
17. **Front Grille:** Air enters here for the first stage of cleaning.
18. **Remote Control:** Remotely turns the Power ON/OFF adjusts the Odor Control feature, Motor Speed and Night Light. Use these buttons in the same procedure as the unit (available only on the Oreck ProShield Plus model).

Operation

- 1. Place.** Locate the air purifier on a hard surface such as a table or desk. The unit can be placed horizontally or vertically depending on your space. Be sure the grille is not blocked by other objects and there are no candles or flames near the unit.
- 2. Plug In.** Plug into nearest standard electrical outlet that accepts a polarized plug.
- 3. Select** the air cleaning speed. Press the motor speed/power button until you reach the desired speed.



Cleaning

Cleaning Intervals

Proper care and cleaning of the air purifier is critical to performance. The following chart shows the cleaning intervals and method.

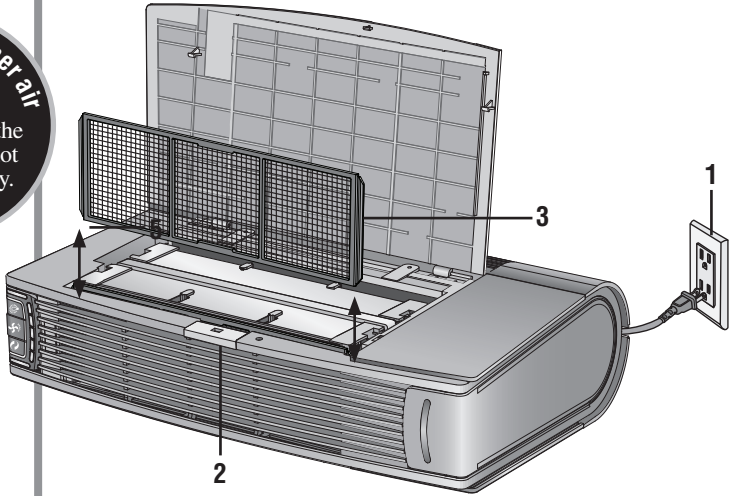
Part	Cleaning Time	Method
Cabinet	As needed	Wipe with damp cloth first. If required, follow with mild, non-abrasive cleaner.
Truman Cell	2 to 4 weeks	Spray Oreck Assail-a-Cell [®] cleaner or soak in warm water or warm water with mild liquid detergent. Rinse and dry thoroughly.
Pre-Filter	2 to 4 weeks	Rinse thoroughly in warm water or as needed.
Odor Absorber	12 months, or as needed	Replace (optional for odor removal). Do not wash. Vacuum gently with a soft brush attachment to clean if necessary.
Air Direction Grille	As needed	Use the brush provided with the air purifier to brush away debris in between the slots.
Catalytic Ozone Converter	As needed	Vacuum the front surface gently with a soft brush attachment. Do not use any liquids for cleaning.

⚠ WARNING!



Cleaning the unit while it is plugged in may result in electric shock, electric spark and serious injury. Unplug the unit before cleaning or maintenance. Remove the unit from the wall if it is wall mounted.

Cleaning the Pre-Filter

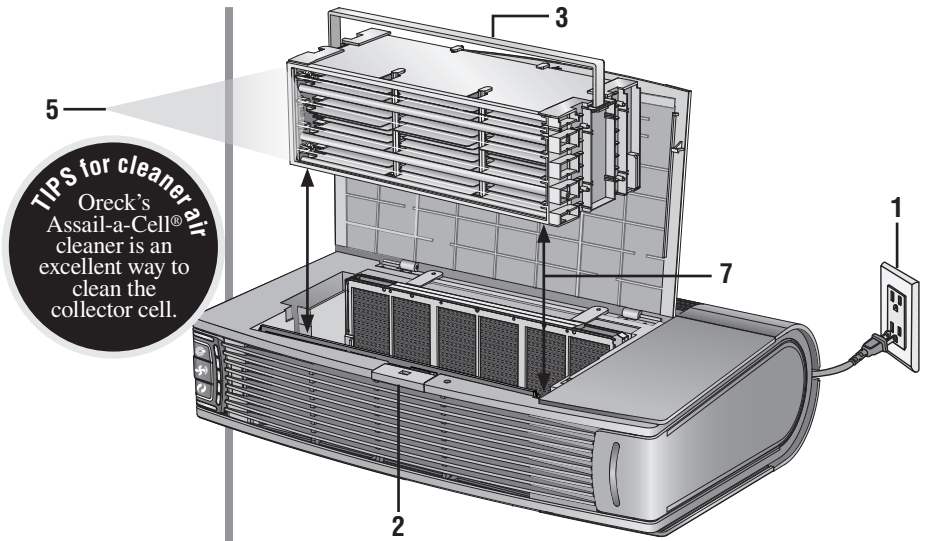


1. Unplug the air purifier and lay it on its side with the hinged cover on top.
2. Open the Top Cover by pressing the Cover Release button.
3. Pull the Pre-Filter straight up and out of the Cabinet.
4. Thoroughly rinse the Pre-Filter and let it air dry before placing it back in the Cabinet. Do not use heated or compressed air as part of the drying process.
5. Slide the Pre-Filter back into the unit.
6. Close the Top Cover securely.

Cleaning the Truman Collector Cell

Note: The Truman Cell may require more frequent cleaning if “arcing” occurs. Arcing is a sharp snapping sound that occurs when large particles are collected in the Truman Cell. If prolonged or continuous arcing occurs the Truman Cell should be cleaned.

1. Unplug the air purifier and lay it on its side with the hinged cover on top.
2. Open the Top Cover by pressing the Cover Release button.
3. Remove the collector cell by pulling up on the handle (located across the top of the Truman Cell). Slide the collector cell straight up and out.
4. Place in sink, bathtub or other location where cleaner can cover every surface.



5. Spray Oreck Assail-a-Cell® cleaner between each Cell Plate and cover each surface. Allow the cleaner to soak for a few minutes but do not let it dry. Thoroughly rinse the Truman Cell with clean water.

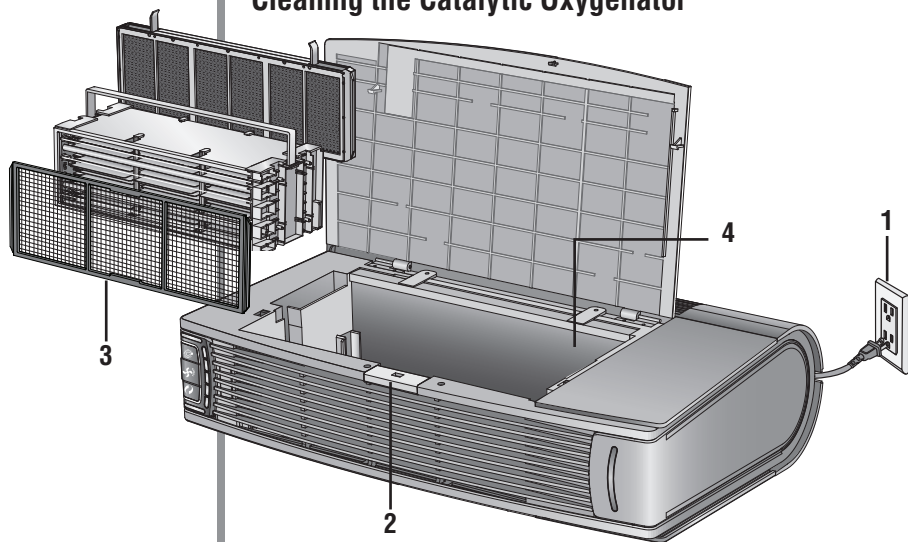
An alternative method to clean the Truman Cell is to rinse or soak it in warm water for loose debris. Mild liquid dish detergent in water may also be used to help break down tough dirt and residue. Thoroughly rinse the Truman Cell with clean water.

Note: To prevent damage to the components of the Truman Cell, do not put in dishwasher or use a cotton swab.

Tough residue such as tar from tobacco smoke may need additional cleaning or longer soaking.

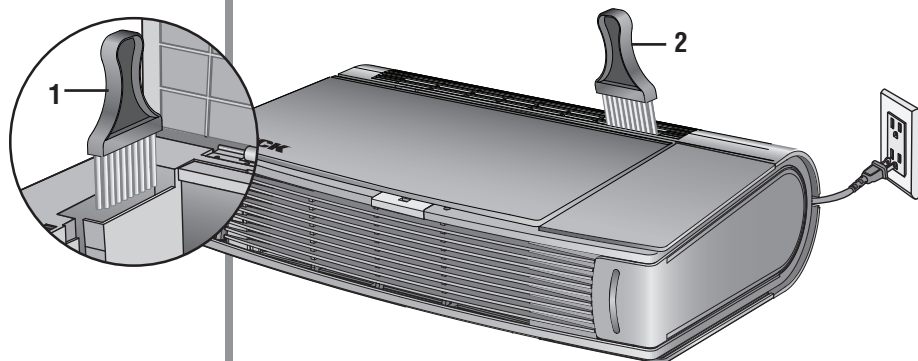
6. Allow to dry completely outside of the air purifier. Do not use heated or compressed air to dry.
7. Place the Truman Cell back into the unit by sliding it straight down into the slots. The Truman Cell is specially designed so that it can only be inserted in one direction.
8. Close the Top Cover securely.

Cleaning the Catalytic Oxygenator



1. Unplug the air purifier and lay it on its side with the hinged cover on top.
2. Open the Top Cover by pressing the Cover Release button.
3. Remove the Odor Absorber, Pre-Filter, and Collector Cell.
4. Vacuum the front face of the filter with a soft-brush attachment only. Do not use liquids to clean.
5. Replace the Odor Absorber, Collector Cell and Pre-Filter.
6. Close the Top Cover securely.

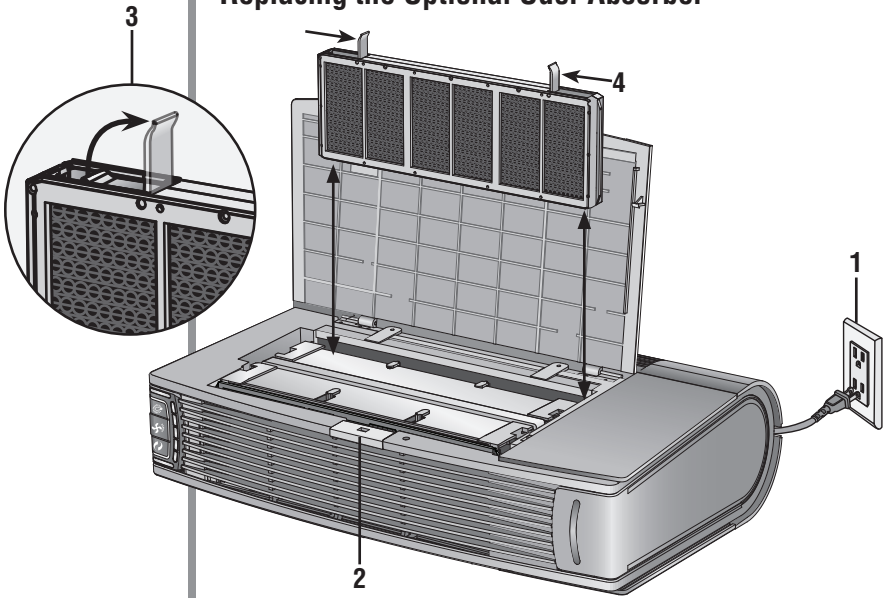
Cleaning the Exhaust Grille



1. Remove the Cleaning Brush from the storage slot located under the Top Cover.
2. Brush away debris that has collected between the Grille Slots.
3. Return the Cleaning Brush to the storage slot.

Maintenance

Replacing the Optional Odor Absorber



Note: The Odor Absorber can be removed and replaced in the Oreck ProShield Air Purifier only.

1. Unplug the air purifier and lay it on its side with the hinged cover on top.
2. Open the Top Cover by pressing the Cover Release button.
3. Flip up the two tabs located on top of the Odor Absorber.
4. Use the tabs to gently lift the odor absorber from the cabinet.
5. Replace with a new Odor Absorber. Fold the tabs down. Do not force the Odor Absorber into the slot.
6. Close the Top Cover securely.

Trouble- shooting

Service problems that appear to be major can often be solved easily. You can be your own troubleshooter by reviewing this guide.

All other servicing should be done by an Oreck authorized service center.

Problem	Check	Solution
Unit does not turn ON	<ul style="list-style-type: none"> • Power Cord • Selector Switch • Top Cover 	<ul style="list-style-type: none"> • Plug in Power Cord • Set Selector Switch for desired blower speed. • Make sure the top cover is securely closed
Truman Cell light has turned solid red.	Truman Cell	<ul style="list-style-type: none"> • A solid red light is a 30 day cleaning reminder. Wash Collector Cell. Make sure it is thoroughly clean and dry before reinstalling.
Truman cell light is blinking red	Truman Cell	<ul style="list-style-type: none"> • A blinking red indicates the power supply has shut down due to arcing or short circuit. The cell should be inspected and cleaned, repaired, or replaced.
Unit does not remove pollutants.	Truman Cell	<ul style="list-style-type: none"> • Clean the Truman Cell and make sure it is completely dry before reinstalling. • Truman cell may be damaged. Contact Oreck for service.
Unit sparks, crackles and pops.	Truman Cell	<ul style="list-style-type: none"> • Sparking or popping noise (arcing) can occur when a large particle is captured in the Truman Cell. If the unit is arcing excessively, the cell may be dirty. Try cleaning the Truman Cell. • If excessive arcing continues after proper cleaning, the Truman Cell may be damaged or wet. If damaged, contact Oreck for service.

Problem	Check	Solution
Odor Absorber light on unit has turned red.	Odor Absorber	<ul style="list-style-type: none"> • Replace odor absorber if desired. • If odor absorber is not replaced, remove old odor absorber to turn off Check Odor Absorber light.
Does not remove odor.	Odor Absorber	<ul style="list-style-type: none"> • Vacuum odor absorber with a soft brush attachment if dirty. Do not use any liquids to clean the Odor Absorber. • Replace odor absorber if desired.
Unit still does not operate properly.	Check all the above points.	Contact Oreck for service.

Warranty

ORECK MANUFACTURING COMPANY: (Oreck Manufacturing Company gives you the following limited warranty for this product only if it was originally purchased for residential use, not for resale, from Oreck or an Oreck Authorized Retail Dealer.)

Oreck will repair or replace, free of charge, to the original purchaser, any part that is found to be defective in material or workmanship within three (3) years following the date of purchase for all residential models. NOTE: If the unit is used commercially, a one (1) year overall warranty applies.

This limited warranty does not cover the replacement of expendable or consumable parts such as filters, cartridges, and other parts subject to normal wear unless they are defective in material or workmanship.

This limited warranty does not apply to any part subjected to accident, abuse, commercial use, alteration, misuse, damage caused by act of God, the use of voltages other than on the data plate of this product or service of this product by other than Oreck or a participating Factory Authorized Service Center.

Oreck does not authorize any person or representative to assume or grant any other warranty obligation with the sale of this product.

Oreck's limited warranty is valid only if you retain proof of purchase from Oreck or an Oreck Authorized Retail Dealer for this product. If you purchase this product from any other source, your purchase is "AS IS," which means Oreck grants you no warranty, and that you, not Oreck, assume the entire risk of the quality and performance of this product, including the entire cost of any necessary servicing or repairs of any defects.

Oreck's liability for damages to you for any costs whatsoever arising out of this statement of limited warranty shall be limited to the amount paid for this product at the time of original purchase, and Oreck shall not be liable for any direct, indirect, consequential or incidental damages arising out of the use or inability to use this product. Some states do not allow the exclusion or limitation of incidental or consequential damages, so the above limitation or exclusion may not apply to you.

ALL EXPRESS AND IMPLIED WARRANTIES OTHER THAN THE LIMITED WARRANTY SET FORTH ABOVE, FOR THIS PRODUCT, INCLUDING IMPLIED WARRANTIES OF MERCHANTABILITY AND FITNESS FOR A PARTICULAR PURPOSE ARE EXPRESSLY DENIED.

This warranty gives you specific legal rights, and you may also have other rights which vary from state to state.



ORECK®

ORECK®

© 2009 Oreck Holdings, LLC.

All rights reserved. All marks, text, logo's, product configurations and registered trademarks are owned and used under the authority of Oreck Holdings, LLC